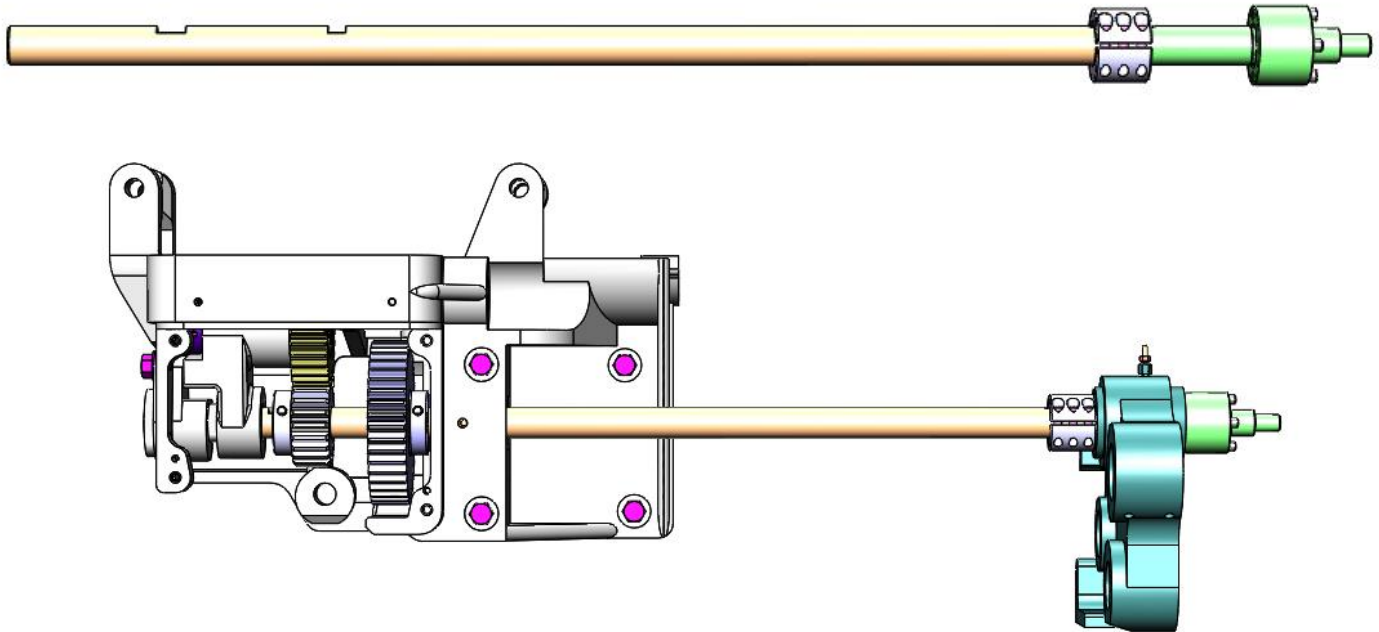




NEW Product Bulletin

5080-226-49-2PC-SA

Model B 2-Piece Threading Shaft



This upgraded version of our standard 5080-226-49-SA **Model B Threading Shaft** is split and coupled just to the left of the spindle change gears. The greatest benefit comes during set-up changes and service of the **Model-B Threading Clutch**. The center coupling can be loosened, and the entire threading clutch attachment can be removed with ease. This allows servicing of the unit without disassembly and removal of the shaft through the spindle drive housing, saving hours of costly machine downtime at every set-up and service. In addition, the new design allows the quick and economical replacement of only the spindle drive gear end of the shaft, which can become damaged during machine crashes or worn with continuous use. Also available for Long-Bed Model-B's.

New Features:

- Lower *initial & long-term* cost of ownership with reduced set-up and repair costs.
- Reduce downtime up to 1.5 hours each time you remove or replace this shaft.
- 100% interchangeability with genuine Davenport Machine OEM parts.
- 100% of the performance of the standard design.

Our knowledgeable and courteous sales staff at
Hye-Tech Machine Enterprises Inc
is ready to assist you.
Please give us a call
Toll Free: 888-484-9900