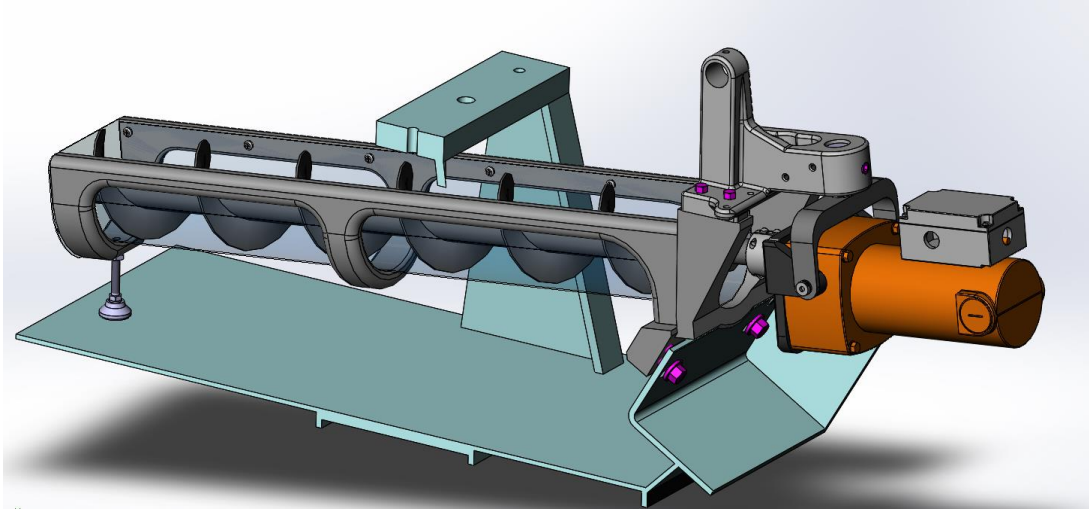




NEW Product Bulletin

5080-329-78-SA Motorized In-Line Chip Conveyor



The *5080-329-78-SA Motorized In-Line Chip Conveyor* is a direct-drive, in-line motorized replacement for all previous generations of auger-style chip conveyors, including ratchet driven, as well as previous right-angle motorized chip augers. It is available as a replacement part for existing machines, or a factory installed option on all new Model-B and HP machines. The low-profile design clears all existing components, enclosures, and access points.

The entire auger pivots above the motor mount, allowing the auger screw to jump over larger objects such as parts or tools obstructing rotation to self-clear jams. The elimination of the complex double ratchet mechanisms, or bevel gear arrangements of previous designs, makes the whole machine run quieter.

The auger speed is adjustable on Model-Bs, and is also intermittent on HP machines, giving the user exceptional control over chip removal rate and oil drainage time. It excels at handling high chip volumes, as well as jobs with longer/stringy chips that tend to carry off excessive coolant. This new conveyor maximizes your machine up-time and minimizes your operator workload.

New Features:

- Simple, low profile design with no gears, springs, levers or cams.
- Adjustable speed and intermittent motion for superior chip removal.
- Quiet, reliable, IP65-rated electrical drive motor w/ overload protection.
- Self-clearing and anti-jam features.
- Interchangeability with Davenport Machine OEM parts.

Our knowledgeable and courteous sales staff at
Hye-Tech Machine Enterprises Inc
is ready to assist you.
Please give us a call
Toll Free: 888-484-9900