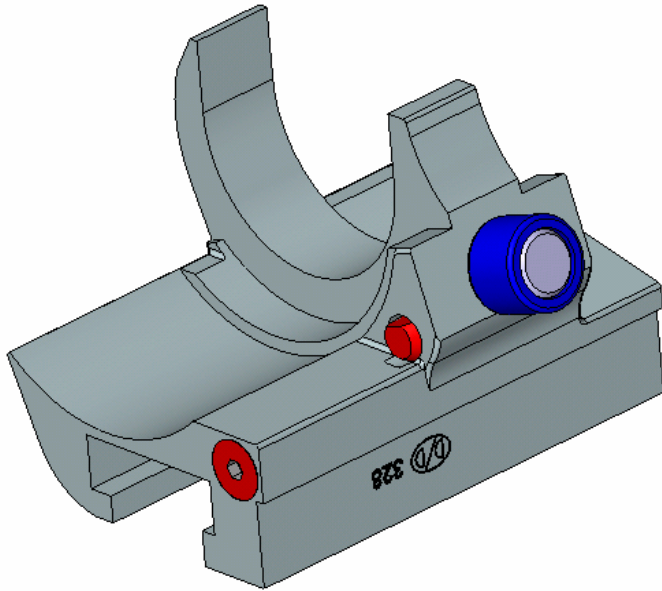




## Updated Product Bulletin

### 328 CHUCK SLIDE



Davenport has enhanced this part, and now makes our chuck slides from new, high quality, investment castings, using a new bronze alloy. The new 328's have higher strength and wear resistance, so they last longer. In addition, we have added the innovative new *wear screw* on the front corner of the slides. This area was prone to being rounded off by pry-bars used to open collets during half-index. Now you'll never have to replace slides too early, or skin your knuckles when the pry bar slips off the worn corner. These features, combined with our new precision manufacturing process, ensure Davenport OEM 328 slides are an exceptional value.

#### New Features:

- Made from high quality, investment casting.
- Stronger and more wear resistant bronze material.
- The new *wear screw* extends the useful life of the slide, and makes it safer too.
- Lower **long-term** cost-of-ownership with reduced repair/replacement costs.
- 100% interchangeability with genuine Davenport Machine OEM parts.
- Similar updates have been made to the 446-7 Feed Slide

Our knowledgeable and courteous sales staff at  
**Hye-Tech Machine Enterprises Inc**  
is ready to assist you.  
Please give us a call  
Toll Free: 888-484-9900