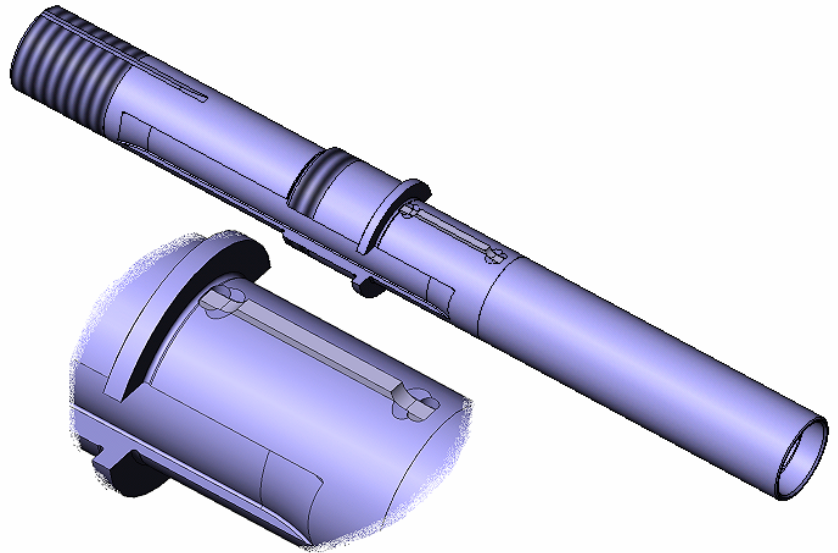




Updated Product Bulletin

5080-2103 and Inner Spindle Family

Davenport Machine has enhanced the key fastening method for the entire Inner Spindle Family. In the past, keys have been retained by welding, soldering, or various adhesives. Each of these methods had benefits, but eventually the keys could break or come loose. A loose key could fall into the machine when changing inner spindle bearings, and could cause considerable damage if not found and replaced. Davenport's new spindles use a Patent Pending method of fastening the keys. They are secured



by staking the spindle, actually cold-forming metal from the spindle around the key. We have found this metal-to-metal retention exceeds the strength and durability of all other fastening methods tested, while still offering a full-length, replaceable, cold-formed-hardened key, on a precision bearing diameter. Spindles with shorter, softer, and non-replaceable keys on rough, broached diameters just don't measure up anymore.

Features:

- Staked keys are securely fastened using a Patent Pending design.
- Never chase a loose key again.
- Our cold-finished keys have a harder surface & resist wear better than soft keys.
- Our bearing diameters for the outer spindle have better finishes and are more precise than broached diameters.
- Lower **long-term** cost-of-ownership with reduced repair/replacement costs.
- 100% interchangeability with genuine Davenport Machine OEM parts.
- Similar updates have been made to the entire inner spindle family including regular & oversize spindles, 2 & 3 slot designs, and for both work & burring spindles.

Our knowledgeable and courteous sales staff at

Hye-Tech Machine Enterprises Inc

is ready to assist you.

Please give us a call

Toll Free: 888-484-9900