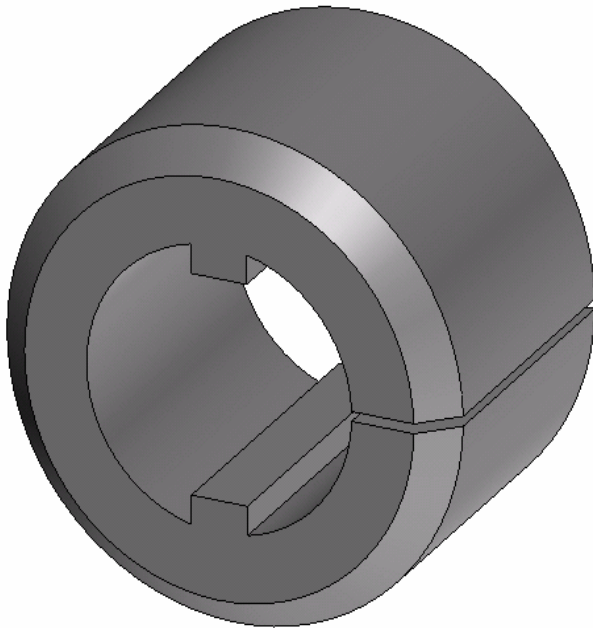




## Product Bulletin

**5080-226-41-2**

### Clutch Body – Model B Threading Clutch



The redesigned **Clutch Body** is now slotted through the side. This allows the **Gripping Sleeve** segments to collapse the **Clutch Body** onto the shaft, greatly improving the torque capacity of the threading clutch unit.

As a result, the keys, previously prone to shearing under normal torques, will now withstand all torques during normal operation.

As always, this clutch still maintains the important function of an inexpensive overload protection device during tool failure, or machine crashes. During an overload, the composite keys are designed to shear. This important feature is not provided by imitation “brass key” clutches, which can cause serious damage to more expensive parts of the machine.

#### New Features:

- Greater torque transmission capacity
- Allows larger taps, and higher tapping speeds without failure
- Typically 5 times longer life than previous designs
- Dependable overload protection in a cost effective part

Our knowledgeable and courteous sales staff at  
**Hye-Tech Machine Enterprises Inc**

is ready to assist you.

Please give us a call

Toll Free: 888-484-9900