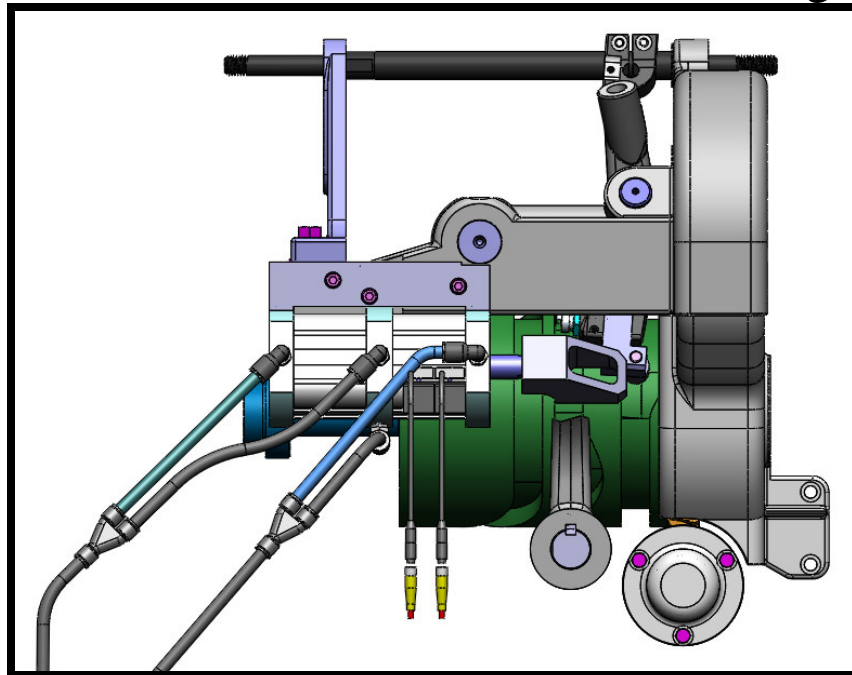


Product Bulletin

1605-SA Pneumatic Collet Chucking



The 1605-SA Pneumatic Collet Chucking unit is an update to the classic lever operated chucking mechanism. On machines equipped with pneumatic control systems, the addition of this unit can be a great way to improve the user experience and remove a possible source of error. On standard lever actuated chucking mechanism, operators have to hit the lever repetitively throughout the course of a job to load bars and set collet tension. The pneumatic system can be used to open/close the collet during bar loads to lessen operator fatigue, and remove a means of direct operator to machine interaction. The use of pneumatics allows for easy pushbutton operation as opposed to repeatedly hitting the lever open or closed. The 1605-SA includes mounts, modified lever, control valve assembly, and other necessary hardware to connect the unit to the electrical/pneumatic systems.

Key Features:

- Eliminates need to manually close chuck, switches action from lever to push button.
- Improves setup time and minimizes recurring problems

Our knowledgeable and courteous sales staff at
Hye-Tech Machine Enterprises Inc

is ready to assist you.

Please give us a call

Toll Free: 888-484-9900